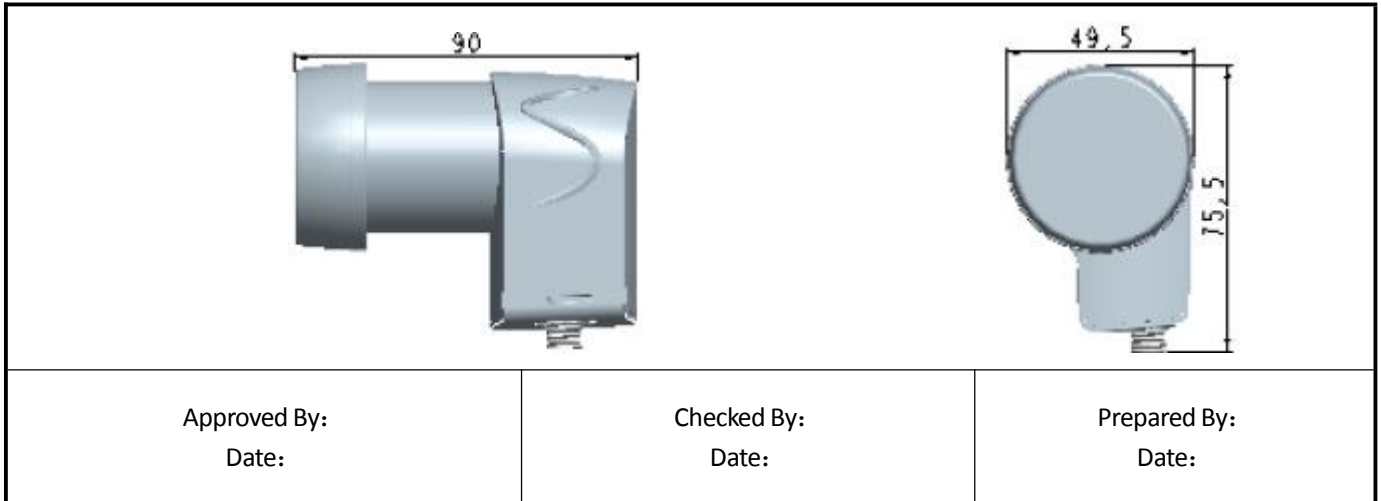


## GKF-C01LY

CHENZHOUXIPOINT TECHNOLOGIES CO.LTD		Product specification	Product model: GKF-C01LY( Single PLL LNB)	
			Edition: A (FOR EUROPE)	
No.	ITEM	SPECIFICATION		UNIT
1	Low Band I/P Frequency Range	11.7 ~ 12.75		GHz
2	O/P Frequency Range	950 ~ 2000		MHz
3	LO Frequency	10.75		GHz
4	Noise Figure	0.8 [typ] 1.2 [max]		dB
5	LO Initial Accuracy	± 0.5		MHz
6	LO Temperature Drift - 30 ~ + 60°C	± 1		MHz
7	LO Phase Noise @ 1K Hz	-55		dBc / Hz
8	LO Phase Noise @ 10K Hz	-80		dBc / Hz
9	LO Phase Noise @ 100K Hz	-90		dBc / Hz
10	Conversion Gain	52-65		dB
11	Gain Flatness	± 4[max]		dB
12	Gain Variation	± 0.75		dB/27 MHz
13	Image Rejection	-40 [min]		dB
14	O/P 1 dB Compression Point	0.0 [min]		dBm
15	Crosstalk Isolation	18[min]		dB
16	Control Signals [ R ]	11.0 ~ 14.0		V
17	Control Signals [ L ]	16.0 ~ 20.0		V
18	O/P VSWR	2.5: 1		~
19	LO Radiation	-50 [max]		dBm
20	DC Power	11 ~ 20V/140(max)		Vdc*mA
21	Working Temperature	- 30 ~ + 60		°C
22	Output Impedance	75		Ω (F-Type)



## For More Information

Please visit our website: <http://www.gospell.com> or contact your local sales representative:

**GOSPELL Shenzhen, China**  
 Overseas Sales Center  
 Block F10-F13, F518 Idea Land, Baoyuan road,  
 Bao'an Central District, Shenzhen 518102,  
 Guangdong Province, China  
 TEL: +86-755-26716172  
 FAX: +86-755-29114035  
 E\_mail: [sales.dtv@gospell.com](mailto:sales.dtv@gospell.com)

**GOSPELL India (Office)**  
 Office No.C-802, 5th Floor, L.B.S. Road, Bhandup  
 (West), Mumbai-400078  
 TEL: +91 9676015678  
 E\_mail: [Santoshk@gospell.com](mailto:Santoshk@gospell.com)

**GOSPELL Chengdu,China,**  
 Floor 4 of Building 2, No 5, TianHongLu ,Hi-Tech West  
 Zone Chengdu, Sichuan, China  
 TEL: +86-28-87838224  
 E\_mail: [luoxq@gospell.com](mailto:luoxq@gospell.com)

**GOSPELL Brazil (Joint Office)**  
 Rua Engenheiro Prudente, 477/483, Sao Paulo,  
 Brazil  
 TEL: +55 (11) 2274-1455  
 E\_mail: [zhouyong@gospell.com](mailto:zhouyong@gospell.com)

**GOSPELL Paraguay (Joint Office)**  
 Tte. Garay 1795 esq. Campo Via Barrio San Vicente  
 Asunción - Paraguay  
 TEL: +595 21 33 43 02

©2015 GOSPELL Digital Technology Co., Ltd. All rights reserved.  
 The GOSPELL logo is a trademark of GOSPELL Digital Technology Co., Ltd.,  
 All other trademarks mentioned in this document are the property of their respective owners.  
 Product pictures are for reference only, GOSPELL reserves the right to modify the specifications without prior notice.

