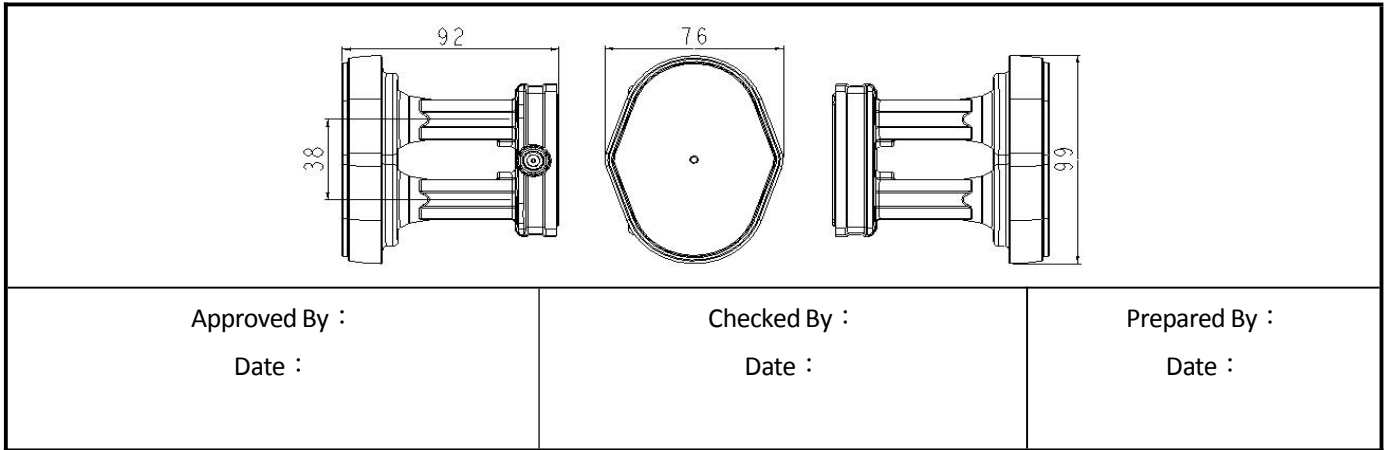


MONOBLOCK SINGLE 3°LNB

CHENZHOU XIPOINT TECHNOLOGIES CO.LTD		Product specification	Product model : (Monoblock Single 3°Phase Locking Loop LNB)	
			Edition : A	
No.	ITEM	SPECIFICATION	UNIT	
1	Low Band I/P Frequency Range	10.7 ~ 11.7	GHz	
2	O/P Frequency Range	950 ~ 1950	MHz	
3	LO Frequency	9.75	GHz	
4	Noise Figure	0.8 [typ] 1.1 [max]	dB	
5	High Band I/P Frequency Range	11.7 ~ 12.75	GHz	
6	O/P Frequency Range	1100 ~ 2150	MHz	
7	LO Frequency	10.6	GHz	
8	Noise Figure	0.8 [typ] 1.1 [max]	dB	
9	LO Initial Accuracy	± 0.5	MHz	
10	LO Temperature Drift (- 30 ~ + 60°C)	± 0.75	MHz	
11	LO Phase Noise @ 1K Hz	-55	dBc / Hz	
12	LO Phase Noise @ 10K Hz	-75	dBc / Hz	
13	LO Phase Noise @ 100K Hz	-90	dBc / Hz	
14	Conversion Gain	52 ~ 65	dB	
15	Gain Variation	±4[max]	dB	
16	Image Rejection	40 [min]	dB	
17	O/P 1 dB Compression Point	0.0 [min]	dBm	
18	Crosstalk Isolation	18 [min] 20 [typ]	dB	
19	O/P VSWR	2.5 : 1	~	
20	DC Power	150 [max]	mA	
21	Working Temperature	- 30 ~ + 60	°C	
22	Output Impedance	75	Ω	
23	Polarity , Band & Satellite Selection (V, Low, S A)	Vertical, Low band , Sat :A		
24	Polarity , Band & Satellite Selection (V, High, SA)	Vertical, High band , Sat :A		
25	Polarity , Band & Satellite Selection (H, Low, SA)	Horizontal, Low band , Sat :A		
26	Polarity , Band & Satellite Selection (H, High, SA)	Horizontal, High band , Sat :A		
27	Polarity , Band & Satellite Selection (V, Low, SB)	Vertical, Low band , Sat :B		
28	Polarity , Band & Satellite Selection (V, High, SB)	Vertical, High band , Sat :B		
29	Polarity , Band & Satellite Selection (H, Low, SB)	Horizontal, Low band , Sat :B		
30	Polarity , Band & Satellite Selection (H, High, SB)	Horizontal, High band , Sat :B		



For More Information

Please visit our website: <http://www.gospell.com> or contact your local sales representative:

GOSPELL Shenzhen, China
 Overseas Sales Center
 Block F10-F13, F518 Idea Land, Baoyuan road,
 Bao'an Central District, Shenzhen 518102,
 Guangdong Province, China
 TEL: +86-755-26716172
 FAX: +86-755-29114035
 E_mail: sales.dtv@gospell.com

GOSPELL India (Office)
 Office No.C-802, 5th Floor, L.B.S. Road, Bhandup
 (West), Mumbai-400078
 TEL: +91 9676015678
 E_mail: Santoshk@gospell.com

GOSPELL Chengdu,China,
 Floor 4 of Building 2, No 5, TianHongLu ,Hi-Tech West
 Zone Chengdu, Sichuan, China
 TEL: +86-28-87838224
 E_mail: luoxq@gospell.com

GOSPELL Brazil (Joint Office)
 Rua Engenheiro Prudente, 477/483, Sao Paulo,
 Brazil
 TEL: +55 (11) 2274-1455
 E_mail: zhouyong@gospell.com

GOSPELL Paraguay (Joint Office)
 Tte. Garay 1795 esq. Campo Vía Barrio San Vicente
 Asunción - Paraguay
 TEL: +595 21 33 43 02

©2015 GOSPELL Digital Technology Co., Ltd. All rights reserved.

The GOSPELL logo is a trademark of GOSPELL Digital Technology Co., Ltd.,
 All other trademarks mentioned in this document are the property of their respective owners.
 Product pictures are for reference only, GOSPELL reserves the right to modify the specifications without prior notice.

